



D.O.T. APPROVED

12000 DRIP TORCH

OPERATING INSTRUCTIONS



**MEETS USDA SPEC 5100-614A
JUNE 11, 2009**

CAUTION

Use of firing equipment should be restricted to trained, experienced personnel, who will take precautions to avoid danger to themselves and others. Keep torch in good order, inspect periodically and replace worn or missing parts. Handle all petroleum products with the same precautions as when handling gasoline.

FUEL

Refer to your Agency or Bureau policy regarding the type of fuel mixtures to be used.

STARTING

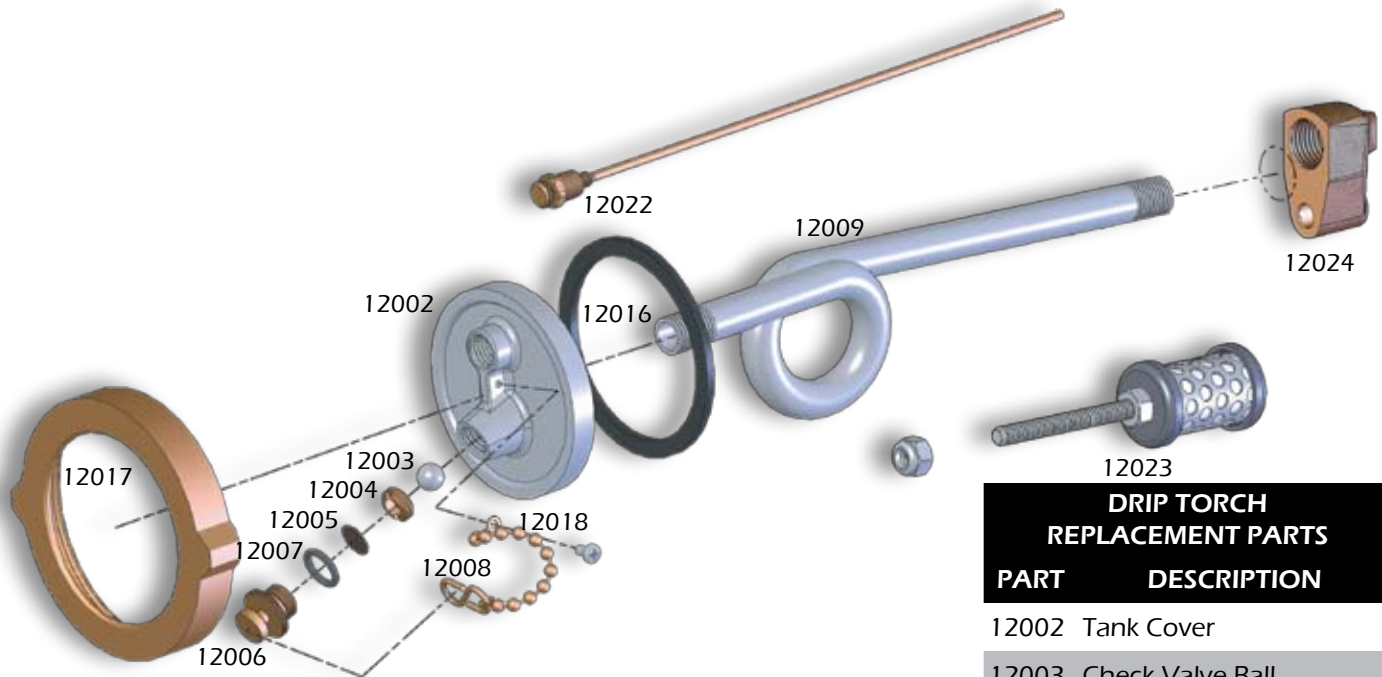
Fill the torch, leaving a 2" space at top, which allows for fuel expansion. Do not fill near open flame or other ignition source. Wipe off outer surface of tank and handle. Remove discharge plug and insert in blind socket. Open breather valve two full turns. Tip torch forward, allowing fuel to wet igniter. Light igniter, drip torch is ready to use.

STORAGE AFTER USE

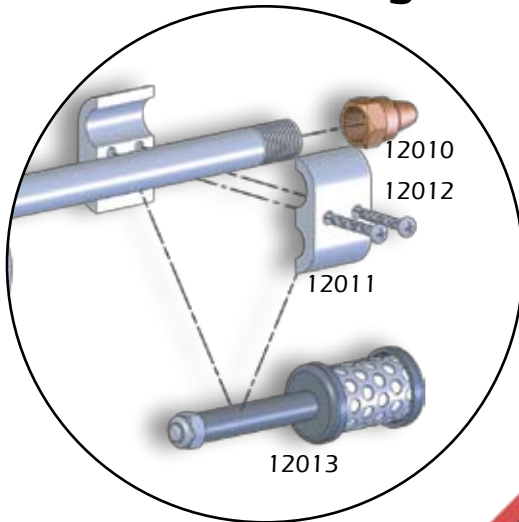
Extinguish igniter by allowing it to burn out. After igniter has cooled completely, remove lock-ring and reverse the spout inside the tank. Replace lock-ring securely. Insert the sealing plug, from the blind threaded socket, into the spout opening. Close the breather valve.

CASCADE FIRE EQUIPMENT COMPANY

DRIP TORCH REPLACEMENT PARTS



**REPLACEMENT PARTS
FOR DRIP TORCHES
purchased before Aug. 2007:**



DRIP TORCH REPLACEMENT PARTS	
PART	DESCRIPTION
12002	Tank Cover
12003	Check Valve Ball
12004	Check Valve Seat
12005	Outlet Screen
12006	Discharge Sealing Plug
12007	Discharge Plug Gasket
12008	Discharge Plug Chain
12009	Spout and Fuel Trap
12010	Nozzle 3/32 Bore
12011	Igniter Clamps (Pair)
12012	Igniter Clamp Screw
12013	Igniter
12016	Tank Collar Gasket
12017	Tank Cover Lockring
12018	Chain Screw
12022	Breather Tube Assembly
12023	Igniter
12024	Nozzle



**For ordering information, contact:
CASCADE FIRE EQUIPMENT COMPANY**

PO Box 4248 • Medford, OR 97501

Toll-Free 800-654-7049 • Phone 541-779-0394 • Fax 541-779-8847

www.cascadefire.com • sales@cascadefire.com